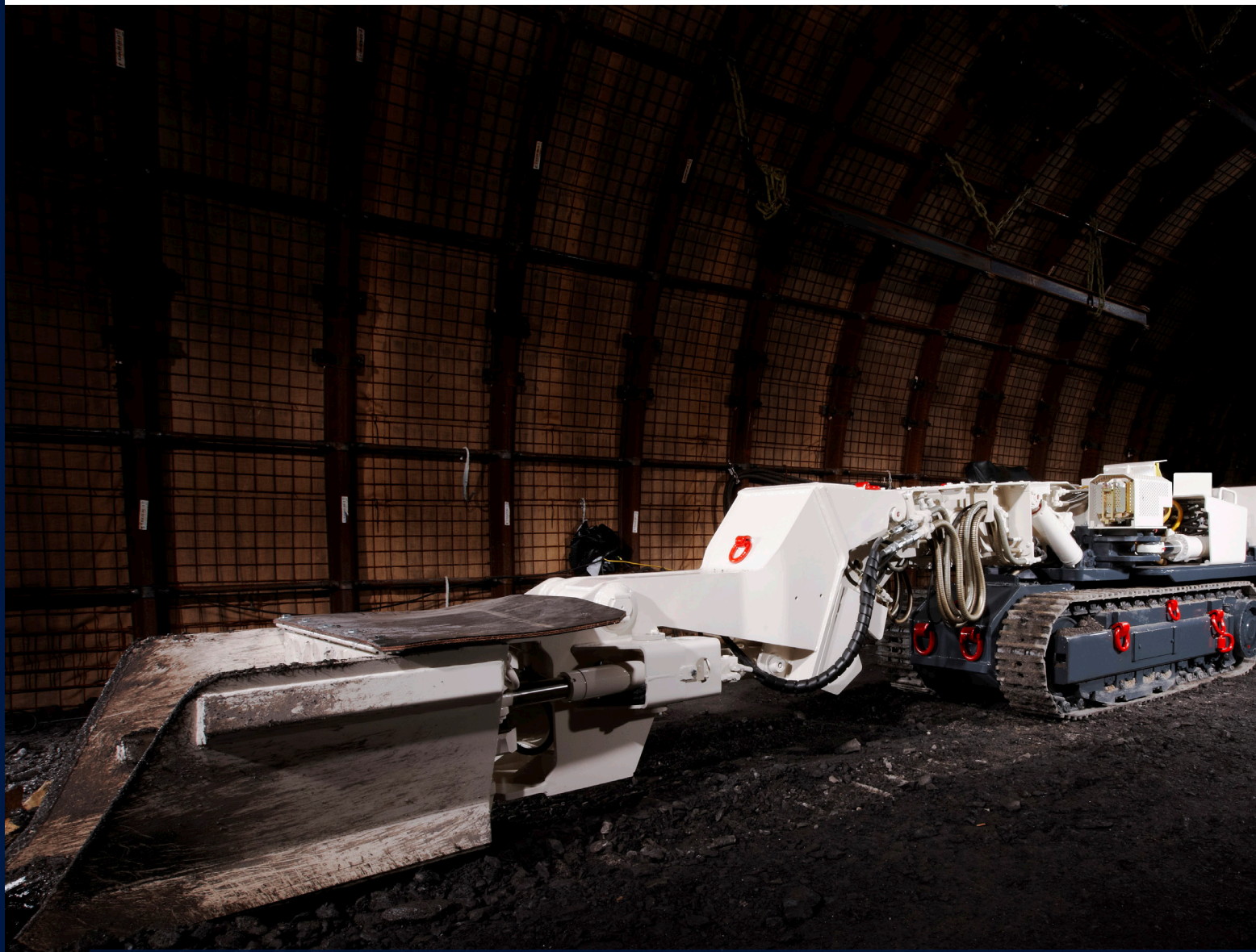


HAZEMAG



**HAZEMAG
Multi-functional Machine | HMF 800**





HMF 800

Manages all tasks for underground roadways

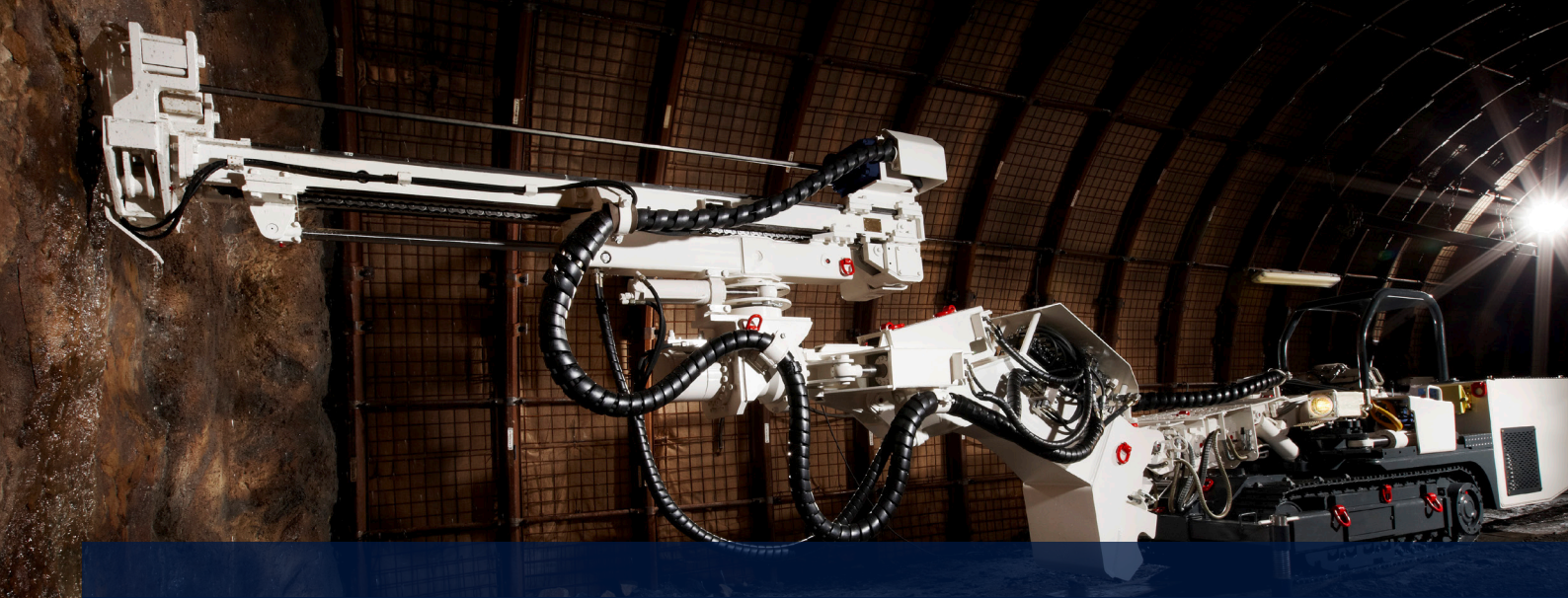
The HMF 800 is the universal machine for loading activities in small-section roadways as well as for dinting operations. It can either be used with side-dump or box-type buckets. A quick coupling device allows the easy attachment of the different buckets as well as the attachment of various hydraulic breakers, drilling devices and other helpful devices. The HMF 800 is the perfect machine for roadheading and roadway maintenance. The hydraulic drive system of the HMF 800 operates according to the load sensing principle. Thus allowing the simultaneous use of several working functions at the same time with optimum operating comfort.

The large slewing range of the loading arm of $2 \times 25^\circ$ and its stroke of 700 mm allow loading and dinting from a fixed position. This helps to reduce wear on the crawlers and to protect the roadway floor. The powerful rocker arm and its telescopic stroke are generating high breaking and penetrating forces and make for rapid filling of the buckets during loading and dinting.

Technical Data Multi-functional Machine HMF 800	
Electric components	flameproof or non-flameproof version
Motor rating	55 kW
Pump flow	145 l/min
Bucket volume (with side-dump bucket)	0.6 m ³
Bucket volume (with box-type bucket)	0.3 m ³
Tramming speed	1.20 m/s
Gradeability (longitudinal)	± 20 degree
Gradeability (transversal) (with side-dump bucket)	± 8 degree
Gradeability (transversal) (with box-type bucket)	± 6 degree

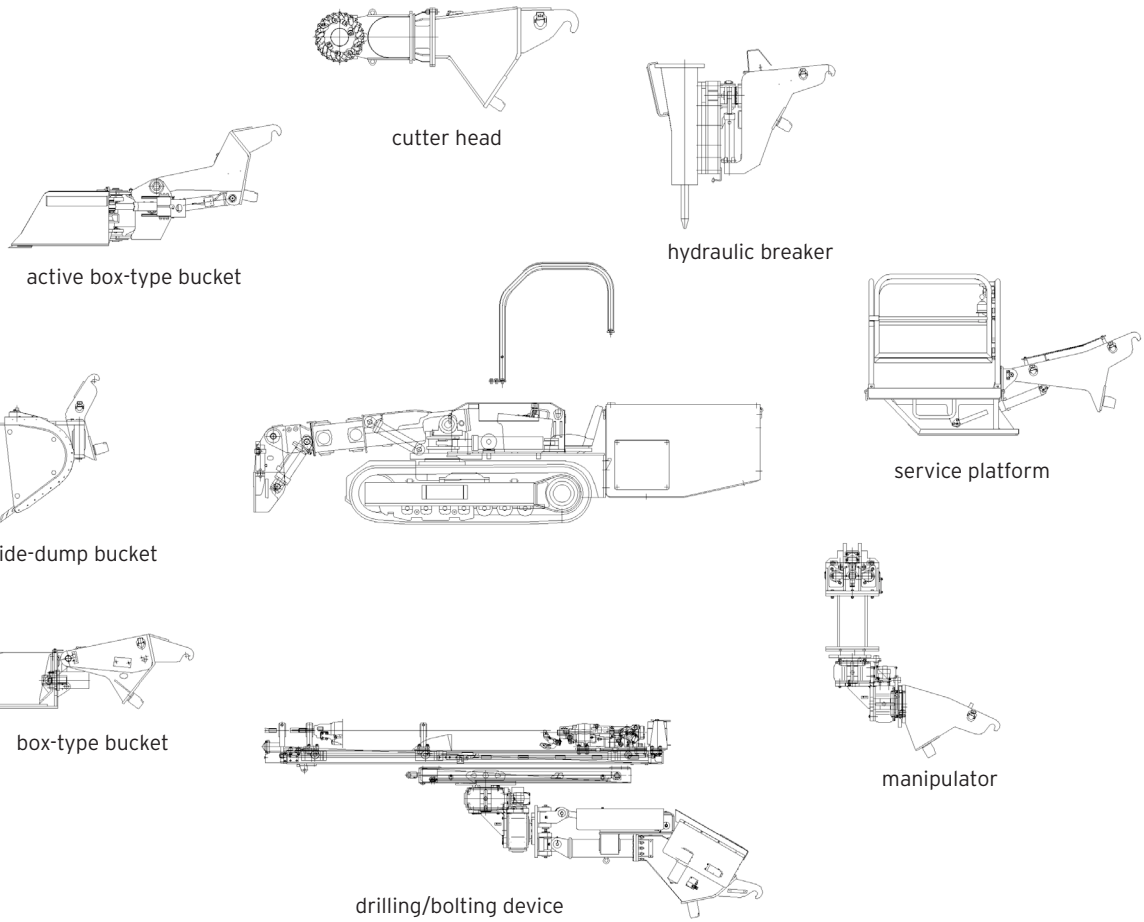
Technical Data Multi-functional Machine HMF 800	
Loading performance (depending on tramming distance) (with side-dump bucket)	0.9 - 1.2 m ³ /min
Loading performance (depending on tramming distance) (with box-type bucket)	0.45 - 0.6 m ³ /min
Length (with side-dump bucket)	6,363 mm
Length (with box-type bucket)	7,697 mm
Width	1,150 mm
Height (without protective roof)	1,200 mm
Height (with protective roof)	1,800 mm
Weight approx.	9,600 kg
Ground pressure	0.1 MPa
Ground clearance power pack	241 mm
Ground clearance crawler unit	170 mm
Boom swivelling angle	2 x 25°
Bucket swivelling angle (with box-type bucket)	2 x 30°
Discharge height (with side-dump bucket)	2,458 mm
Discharge height (with box-type bucket)	2,791 mm
Digging depth (with side-dump bucket)	317 mm
Digging depth (with box-type bucket)	397 mm
Breaking force at bucket tooth (with side-dump bucket)	46 kN
Breaking force at bucket tooth (with box-type bucket)	40 kN
Penetrating force (horizontal)	100 kN



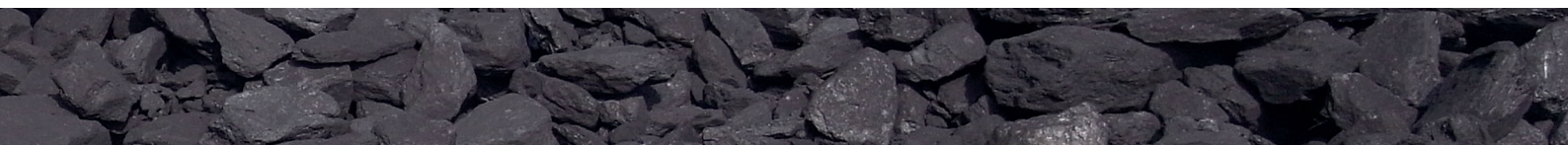


HMF 800

Versatile thanks to various attachments

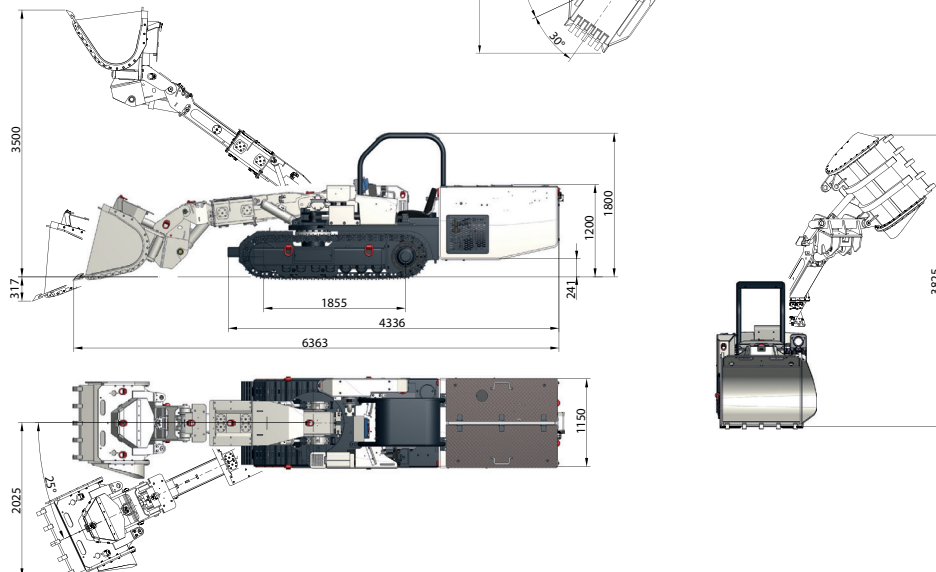
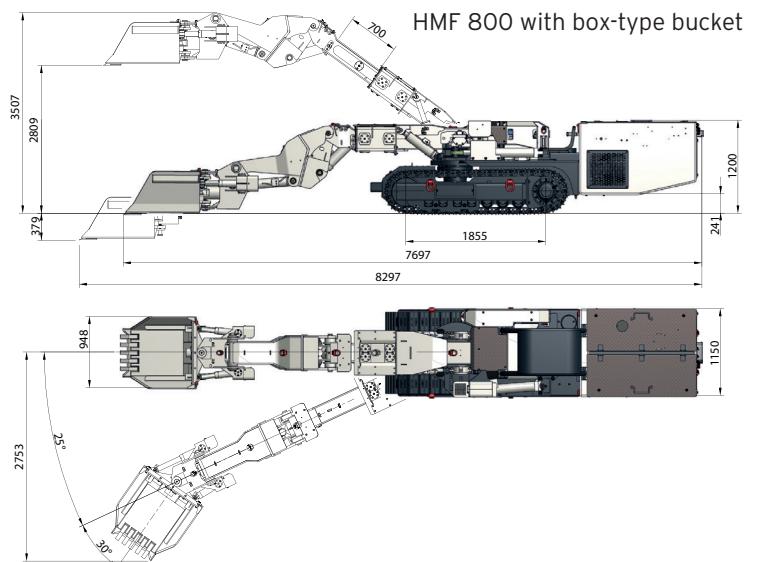


HMF 800 with attachments



HMF 800

Compact design for narrow roadways



HMF 800 with side-dump bucket